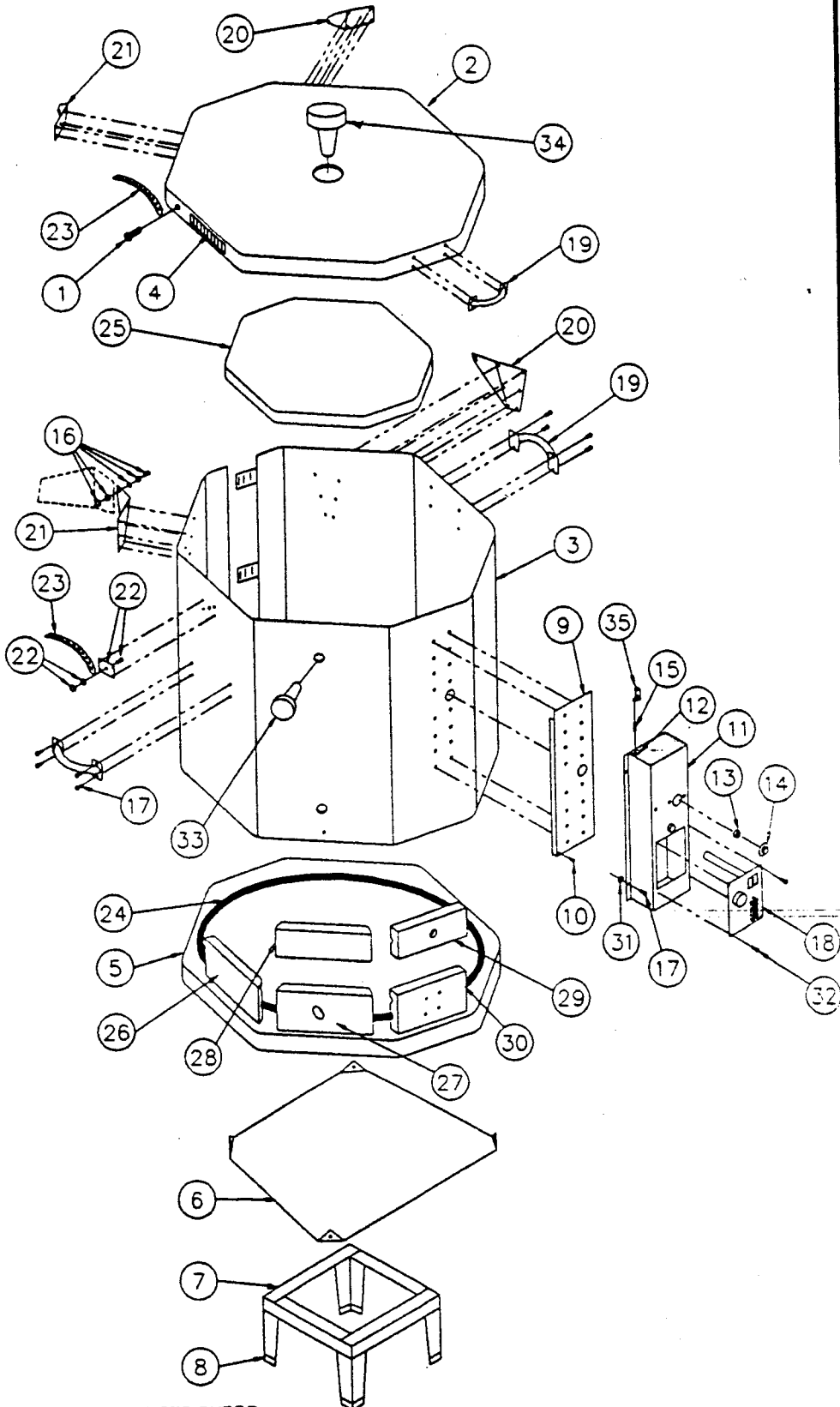


DUNCAN EXPORT MODEL EA 820-6G

BODY PARTS

- | REF. NO. | PART NO. | DESCRIPTION |
|----------|----------|-----------------------------------|
| 1. | KE 304 | #8-32 x 3/4" Machine Screw |
| 2. | KC 018 | 820 Fiber Lid w/Band |
| 3. | KC 047 | 820 Case w/Clamps |
| 4. | KE 045 | Case Clamp |
| 5. | KC 005 | 820 Fiber Bottom |
| 6. | KP 302 | 820 Base Plate |
| 7. | KC 066 | 820 Stand w/Feet |
| 8. | KE 030 | Stand Feet |
| 9. | KP 028 | 820, 1020/29 Heat Shield |
| 10. | KE 302 | #8 x 1" Sheet Metal Screw |
| 11. | KC 091 | EA 820-6/8 Control Panel Shell |
| 12. | KE 011 | Lid Switch Guide |
| 13. | KM 302 | Pal Nut |
| 14. | KM 310 | EA Switch Knob |
| 15. | KE 111 | Teflon Switch Actuator Kit |
| 16. | KC 222 | Hinge Pivot Kit |
| 17. | KE 301 | #8 x 1/2" Sheet Metal Screws |
| 18. | KM 210 | EA Kiln-Sitter w/Timer & Solenoid |
| 19. | KE 009 | Handle |
| 20. | KC 204 | 820 Right Hinge w/ Pivot |
| 21. | KC 214 | 820 Left Hinge w/ Pivot |
| 22. | KC 339 | Lid Chain Mounting Plate |
| 23. | KE 103 | 820 Lid Chain |
| 24. | KE 234 | 820 Element (220V) |
| 25. | KA 117 | 820 Hearth Plate |
| 26. | KB 002 | 820 Grooved Brick |
| 27. | KB 022 | 820 Peephole Brick |
| 28. | KB 042 | 820 Half Brick |
| 29. | KB 052 | 820 Kiln-Sitter Brick |
| 30. | KB 012 | 820 Terminal Brick |
| 31. | KE 341 | 1/8" Standoff |
| 32. | KE 303 | #6 x 1/2" Sheet Metal Screw |
| 33. | KA 030 | Peephole Plug |
| 34. | KE 031 | Lid Vent Hole Plug |
| 35. | KE 010 | Switch Bracket |



DUNCAN CERAMICS
P.O. BOX 7609
FRESNO, CA. 93747

ORDER PARTS FROM YOUR AUTHORIZED DUNCAN CERAMICS DISTRIBUTOR.